

GW4-12(40.5) Outdoor HV Disconnect Switch

Summary

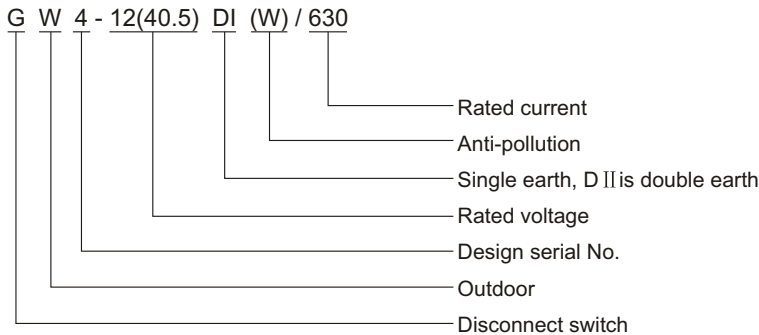
GW4-12(40.5) outdoor AC high voltage disconnect switch (disconnect switch for short) is used to open and close circuit with voltage but no-load 50/60Hz, 12(40.5)kV power system. It accords with standards of IEC62271-103: High voltage switches and GB1985 and other relative standards.



Ambient condition

1. Altitude: $\leq 3000\text{m}$;
2. Ambient temperature: $-25^{\circ}\text{C} \sim +40^{\circ}\text{C}$;
3. Wind speed: $\leq 35\text{m/s}$;
4. Pollution degree: $\leq \text{III}$;
5. Earthquake intensity: ≤ 8 degree;
6. Applicable occasions should free from inflammable, explosives, caustic gas .

Model



Structure feature

This disconnect switch consists of pedestal, insulating brace, electric material and operating mechanism. There are two braces on each pole, and electric blade is installed on the top of each brace and the connection point of the two blades is between the two braces. With the driving of operating mechanism, the two blades can rotate horizontally ninety degrees to close. We can connect three single-pole disconnect switches into a linkage three-pole switch through interlink rod. This disconnect switch can be matched with CS11 type or CS17 type manual mechanism, thereinto, CS17 be used in disconnect switch with earthing fitting. (motor mechanism can be installed according to user's requirement), Reasonable structure, flexible operating; convenient installation, able to use single-pole or three-pole; wide distance of contact, safe and reliable insulating. The earthing type is flexible according to user's requirement, single earthing dual earthing or without earthing can be chosen.

Technical specification

Model	Rated voltage(kV)	Rated current(A)	Withstand current(kA)	4s short-time withstand current(kA)
GW4-12	12	200	40	16
		400	50	20
		630	50	20
		1000	63	25
		1250	63	25
GW4-40.5 GW4-40.5D	40.5	400	50	20
		630	50	20
		1000	63	25
		1250	80	31.5

Outline dimension

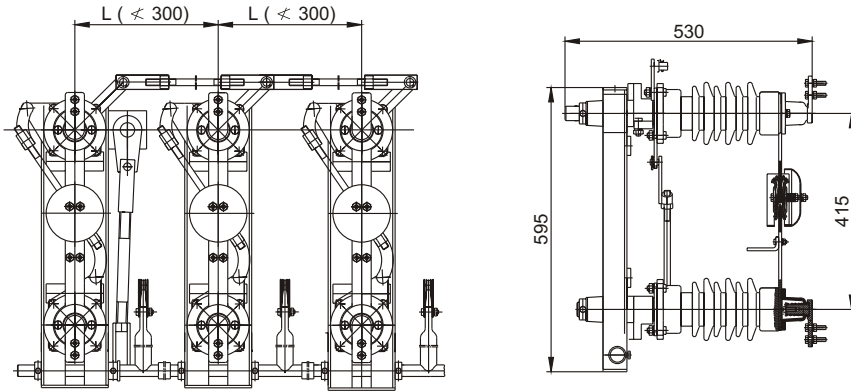


Fig.1 GW4-12D/630 Disconnect switch (three pole)

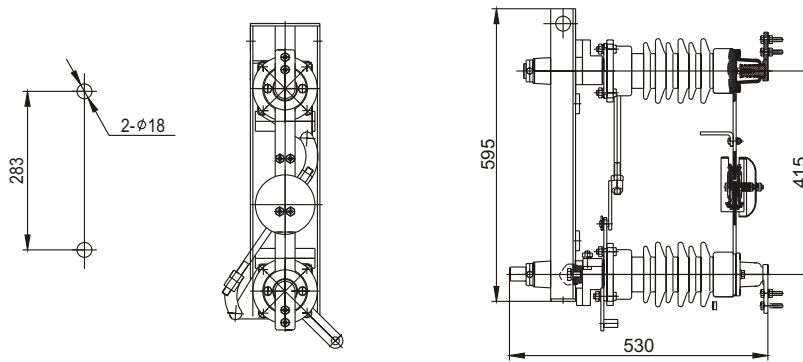


Fig.2 GW4-12D/630 Disconnect switch (single pole)

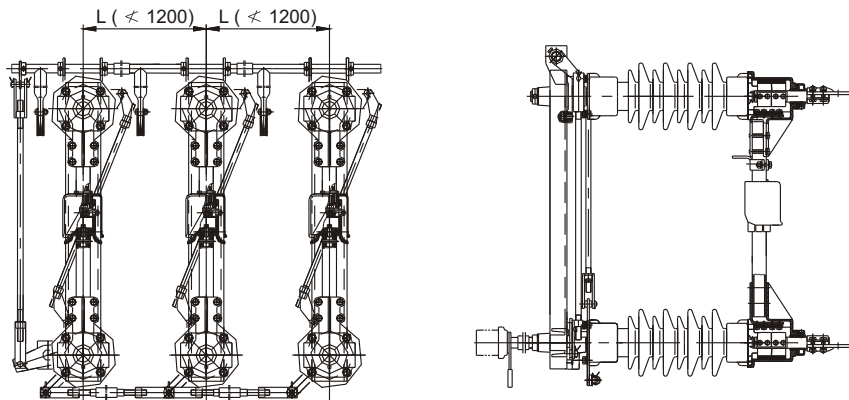


Fig.3 GW4-40.5D/630 Disconnect switch (three pole)

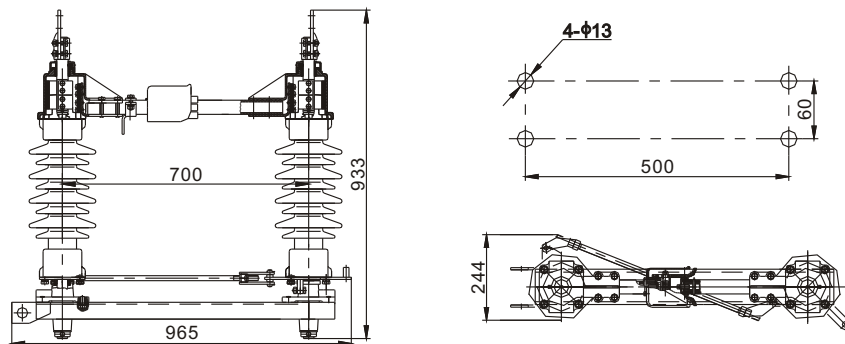


Fig.4 GW4-40.5D/630 Disconnect switch (single pole)