

VS1(ZN63A)-12/24 Indoor AC High Voltage Vacuum Circuit Breaker

Summary

VS1 (ZN63A) -12/24 Model indoor AC high voltage vacuum circuit breaker is a type of holistic and completely sealed HV switchgear, it has compactable dimension and small volume. The VCB applies to power system of rated voltage 12kV, three-phase and AC 50/60Hz. It is applicable in occasions with frequent operations, acting to protect and control line and electric apparatus. The product conforms to IEC62271, GB1984, JB3855 and DL1403 and passes KEMA test.

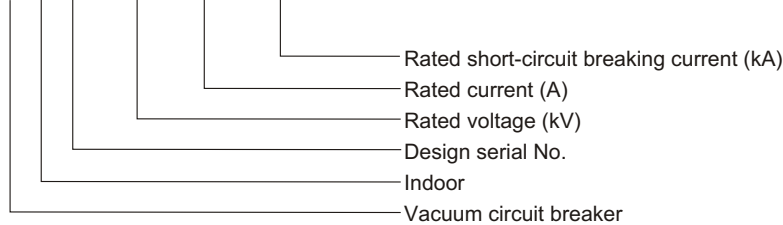


Ambient condition

1. Altitude: $\leq 1000\text{m}$;
2. Ambient temperature: $-25^{\circ}\text{C}\sim+40^{\circ}\text{C}$;
3. Relative humidity: daily average $\leq 95\%$, monthly average $\leq 90\%$;
4. Earthquake intensity: ≤ 8 degree;
5. Applicable occasions should free from inflammables, explosives, corrosives and severe vibration.

Model

Z N63A - 12 / 630 - 31.5



Product feature

1. Holistic structure
2. Sealed spark chamber
3. Effective vacuum arc-extinguish
4. Good mechanical behavior
5. Various mounting approach

Technical specification

No.	Item	Unit	Data						
1	Rated voltage	kV	12/24						
2	Rated frequency	Hz	50/60						
3	Rated current	A	630,1000,1250	1600	2000,2500,3150	4000			
4	Rated short-circuit breaking current	kA	20	25	31.5	31.5	40	40	50
5	Rated short-circuit making current	kA	50	63	80	80	100	100	125
6	Rated short-time withstand current	kA	20	25	31.5	31.5	40	40	50
7	Rated peak withstand current	kA	50	63	80	80	100	100	125
8	Rated pull-out breaking current	kA			12.6	12.6	16	16	20
9	Rated out-of-phase earthing fault breaking current	kA	17.4	21.7	27.4	27.4	34.7	34.7	43.5
10	Rated short-circuit breaking current breaking time	Times	50				30	30	12
11	Rated operation sequence		O-0.3s-CO-180s-CO				O-180s-CO-180s-CO		
12	Rated breaking current of single capacitor bank	A	630						
13	Rated breaking current of back to back capacitor bank	A	400						

No.	Item	Unit	Data
14	1min. PF withstand voltage	kV	Phase to phase/ to earth: 42, across open contacts:48
15	Lightning impulse withstand voltage	kV	Phase to phase/ to earth: 75, across open contacts:85
16	Mechanical life	Times	20000
17	Closing time	ms	≤75
18	Opening time	ms	≤60
19	Power storage time under rated voltage	s	≤10

Product structure

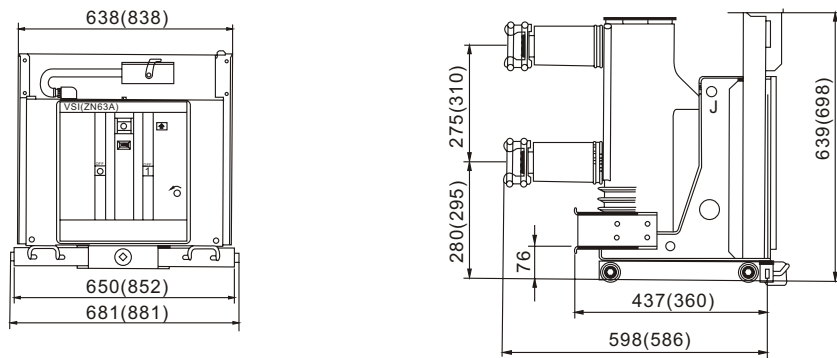


Diagram 1 Outline dimension of handcart type VS1 applied to 800mm width panel

Rated current(A)	630	1000	1250	1600	2000	2500	3150	4000
Rated short-circuit breaking current(kA)	20,25	20,25,31.5	20,25,31.5	31.5	31.5, 40	31.5, 40	40	40,50
Size of static contact (mm)	φ 35	φ 35	φ 49	φ 55	φ 79	φ 109	φ 109	φ 109

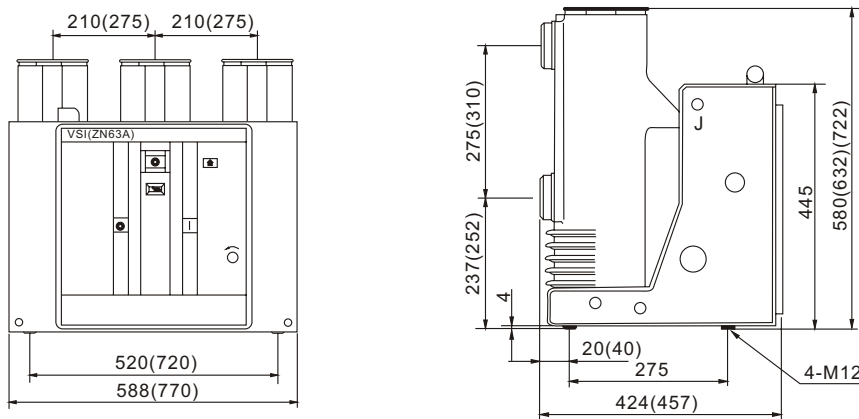


Diagram 2 Outline dimension of fixed type VS1 applied to 800mm width panel

Note: the size inside bracket is applied to 1000mm width panel; rated current: 2000A~4000A.

Rated current (A)	630	1000	1250	1600	2000	2500	3150	4000
Rated short-circuit breaking current(kA)	20,25	20,25,31.5	20,25,31.5	31.5	31.5,40	31.5,40	40	40,50